



bluestream



Seaeye Cougar XT Compact

Technical data sheet



Seeye Cougar XT Compact

The Seeye Cougar XT is a compact yet high powered ROV system, enabling the vehicle to handle high currents. The vehicle can be deployed for a wide variety of tasks, depending on its configuration. The “Compact” version of the Cougar XT is the same powerful ROV system in a smaller package, providing unprecedented current handling capabilities.

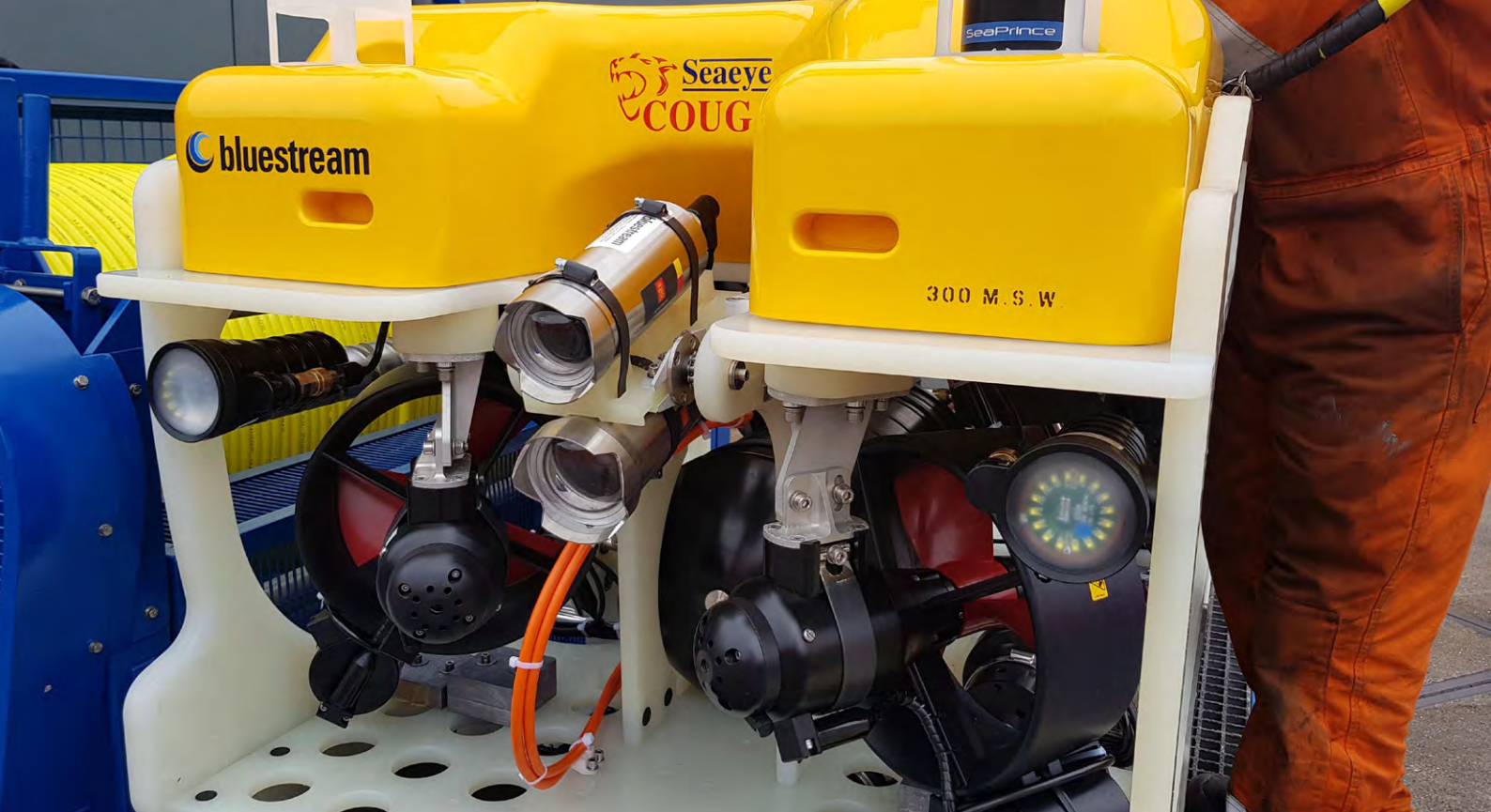
The vehicle is ideal for inspection tasks and, equipped with the 4-function manipulator, the system can handle subsea lifting rigging, remove debris, or perform (light) intervention tasks.

- Subsea intervention;
- Visual inspections;
- Survey capabilities.

The Cougar XT Compact system is designed for deployment from (fixed) platforms with tight deck space conditions. It exists out of three separate units, making it easy to transport and mobilise. The control cabin is housed in an ATEX certified 16 ft container that provides everything for controlling the ROV and auxiliary equipment.

The system normally operates in freely mode but can be supplied with an optional launch cage.

The ROV is deployed “free flying” from a compact Launch and Recovery System crane skid. A 6 ft storage container contains all the spares and consumables for maintenance and repair of the ROV system.



Saab Seaeye Cougar XT Compact

Depth rating	300 msw
Length	1.300 mm
Width	900 mm
Height	784 mm
Launch weight	270 kg
Forward speed	3,8 knots
Thrust forward	170 kgf
Thrust lateral	120 kgf
Thrust vertical	110 kgf (std)
Payload	60 kgf

Standard equipment

Altimeter
 B/W and colour camera
 Compass
 Depth sensor
 Dimmable lights
 Multibeam imaging sonar
 Obstacle avoidance sonar

Optional equipment

4-Function manipulator inclusive Tool HPU
 Cable/ Pipe tracker
 Cleaning equipment (waterjet, flexiclean)
 Cutters (rotary, scissor, anvil, etc.)
 HD or 4K camera and recording
 Magnetic survey system
 Multibeam echosounder
 NDT inspection equipment
 Various survey sensors



Control container

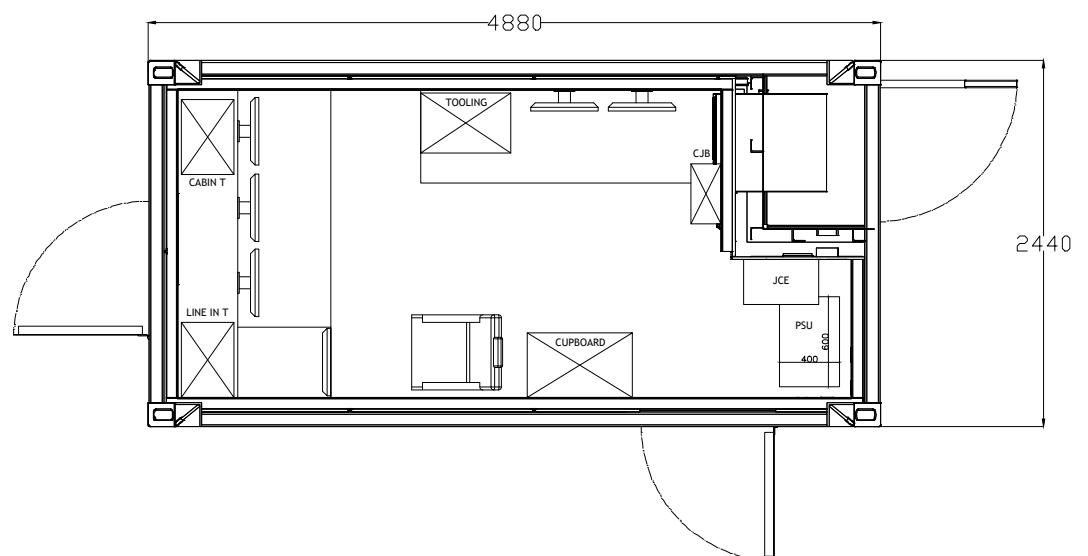
Dimensions: L 4,88 m x W 2,44 m x H 2,74 m (16 ft container)

Actual weight: 8.000 kg

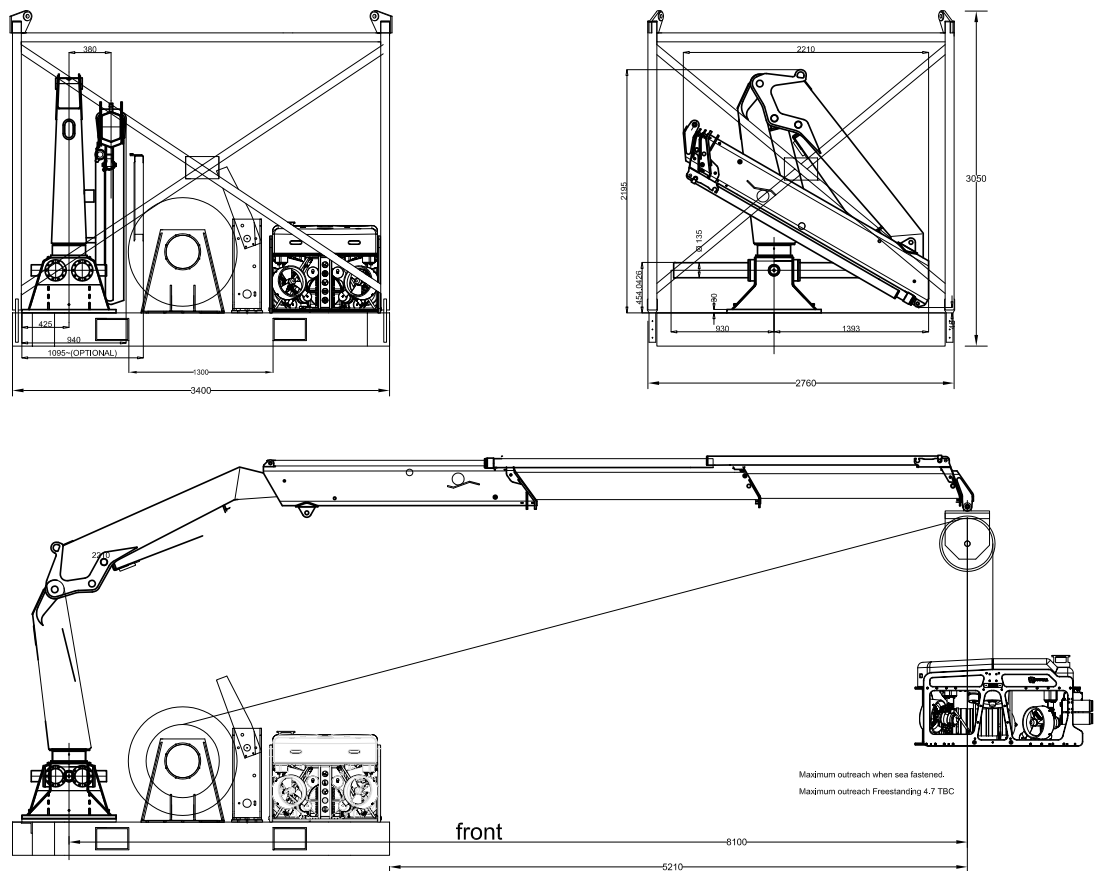
Facilities: Air conditioned, recording suite and reporting equipment, ATEX certified, overpressure cabin

Power requirements: 400/420/440/460/480 VAC, 50/60 Hz, minimum 63 A

Power lead: 20 m



Dimensions:	L 3,40 m x W 2,76 m x H 3,05 m
Actual weight:	7.700 kg
Facilities:	Running latch, go devil winch, ATEX certified, removable protection cage c/w bisonyl cover
Power requirements:	400/440 VAC, 50/60 Hz, 32 A (power supplied through control unit)
Power lead:	35 m
Deck lead	50 m



**Storage container
CXTC**

Dimensions:	L 1,856 m x W 1,59 m x H 2,681 m (6 ft container)
Actual weight:	2.000 kg